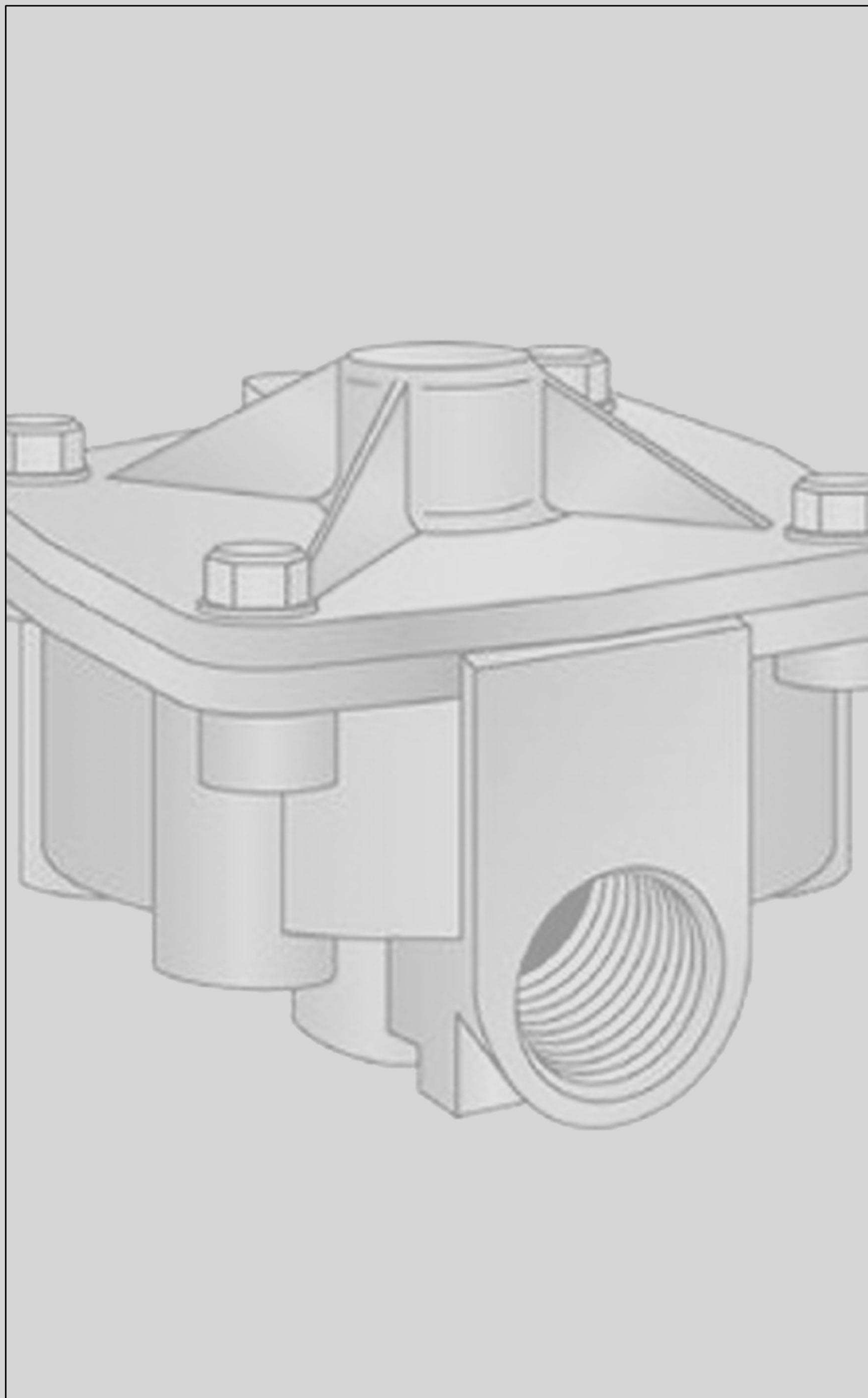


AIR BRAKE SYSTEM

QUALITÄT GERMANY



AIR BRAKE SYSTEM

QUALITÄT GERMANY



CLUTCH SERVO

JOHNTECH No: 91 024 00

REF. No.: 642 03080

PORT: AIR. M 14 X 1.5
HYD. M 12 X 1.5

NOTES: DIA. 70 MM



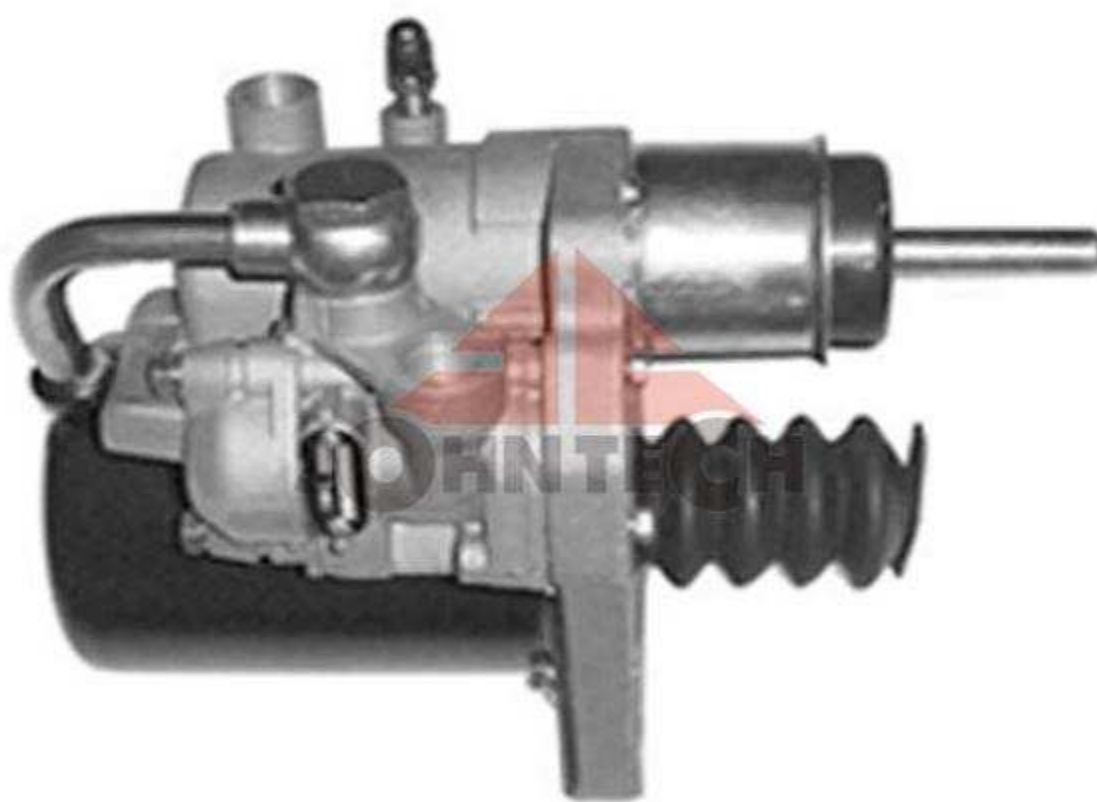
CLUTCH SERVO

JOHNTECH No: 91 025 00

REF. No.: 642 03502

PORT: AIR. M 14 X 1.5
HYD. M 12 X 1.5

NOTES: DIA. 90 MM



CLUTCH SERVO

JOHNTECH No: 91 027 00

REF. No.: 970 051 1310
001 295 3107

PORT: AIR. M 16 X 1.5
HYD. M 14 X 1.5

NOTES: DIA. 72 MM



CLUTCH SERVO

JOHNTECH No: 91 027 01

REF. No.: 970 051 1580
000 295 1518

PORT: AIR. M 16 X 1.5
HYD. M 14 X 1.5

NOTES: DIA. 102 MM



CLUTCH SERVO

JOHNTECH No: 91 032 17

REF. No.: 970 051 1640
000 295 1318

PORT: AIR (11). M 16 X 1.5
HYD (14). M 14 X 1.5

NOTES: DIA. 102 MM



CLUTCH SERVO

JOHNTECH No: 91 026 00

REF. No.: 970 051 1110
81 30725 6014

PORT: AIR. M 16 X 1.5
HYD. M 14 X 1.5

NOTES: DIA. 75 MM

AIR BRAKE SYSTEM

QUALITÄT GERMANY



CLUTCH SERVO

JOHNTECH No: 91 075 00

REF. No.: 970 051 1560

PORT: AIR. M 16 X 1.5
HYD. M 14 X 1.5

NOTES: DIA. 75 MM



CLUTCH SERVO

JOHNTECH No: 91 027 06

REF. No.: 970 051 1370
000 295 0018

PORT: AIR. (11) M 16 X 1.5
HYD. M 14 X 1.5

NOTES: DIA 75 MM



CLUTCH SERVO

JOHNTECH No: 91 032 18

REF. No.: 970 051 1280
001 295 5607

PORT: AIR. (11) M 16 X 1.5
HYD. M 14 X 1.5

NOTES: DIA 102 MM



CLUTCH SERVO

JOHNTECH No: 91 027 04

REF. No.: 970 051 1020

PORT: AIR. (11) M 16 X 1.5
HYD. M 14 X 1.5

NOTES: DIA 75 MM



CLUTCH SERVO

JOHNTECH No: 91 027 05

REF. No.: 970 051 1140
85 30001 9892

PORT: AIR. (11) M 16 X 1.5
HYD. M 14 X 1.5

NOTES: DIA. 75 MM



CLUTCH SERVO

JOHNTECH No: 91 073 00

REF. No.: 970 051 1240
5000 78 787

PORT: AIR. (11) M 16 X 1.5
HYD. M 14 X 1.5

NOTES: DIA. 102 MM

AIR BRAKE SYSTEM

QUALITÄT GERMANY



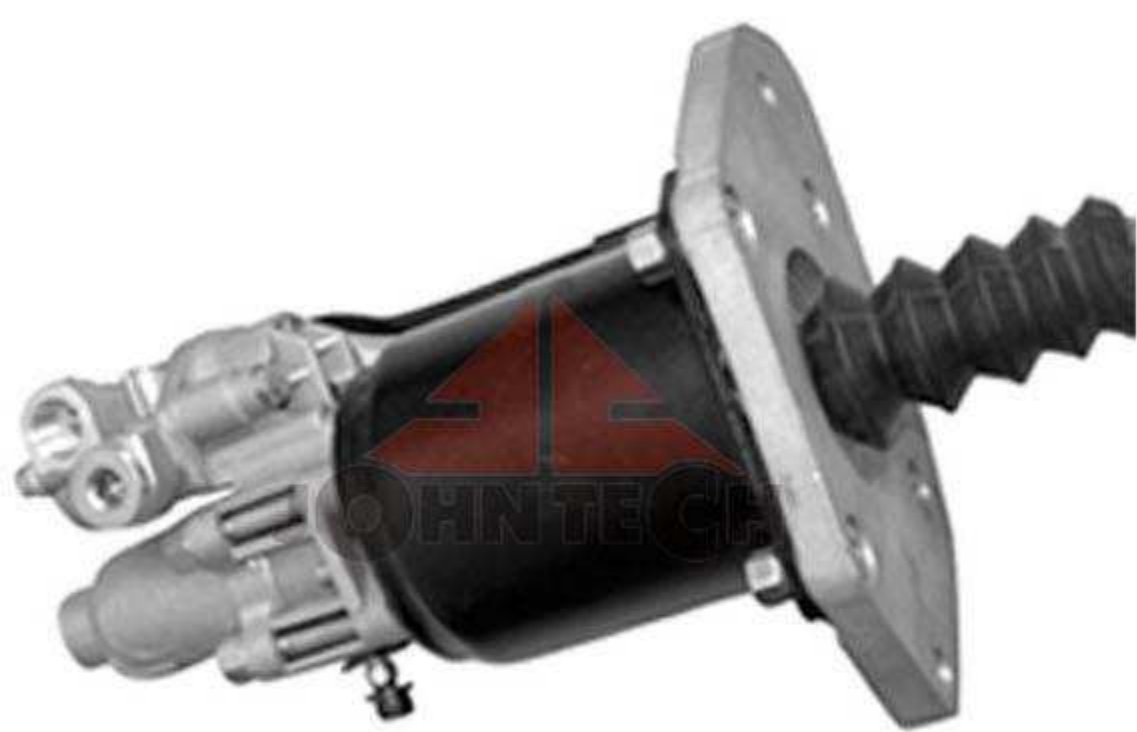
CLUTCH SERVO

JOHNTECH No: 000 739 00

REF. No.: 970 051 1070
343362

PORT: AIR. (11) M 16 X 1.5
HYD. M 14 X 1.5

NOTES: DIA. 102 MM



CLUTCH SERVO

JOHNTECH No: 91 027 12

REF. No.: 970 051 1510
000 295 1018

PORT: AIR. (11) M 16 X 1.5
HYD. M 14 X 1.5

NOTES: DIA. 85 MM



CLUTCH SERVO

JOHNTECH No: 91 074 00

REF. No.: 970 051 4070

PORT: AIR. M 16 X 1.5
HYD. M 14 X 1.5

NOTES: DIA. 102 MM



CLUTCH SERVO

JOHNTECH No: 91 029 00

REF. No.: 970 051 4130

PORT: AIR. M 16 X 1.5
HYD. M 14 X 1.5

NOTES: DIA. 102 MM



CLUTCH SERVO

JOHNTECH No: 91 032 20

REF. No.: 970 051 4140
81 30725 6064

PORT: AIR. M 22 X 1.5
HYD. M 14 X 1.5

NOTES: DIA. 102 MM



CLUTCH SERVO

JOHNTECH No: 91 027 03

REF. No.: 970 051 4310
000 295 2818

PORT: AIR. M 16X 1.5
HYD. M 14 X 1.5

NOTES: DIA. 102 MM

AIR BRAKE SYSTEM

QUALITÄT GERMANY



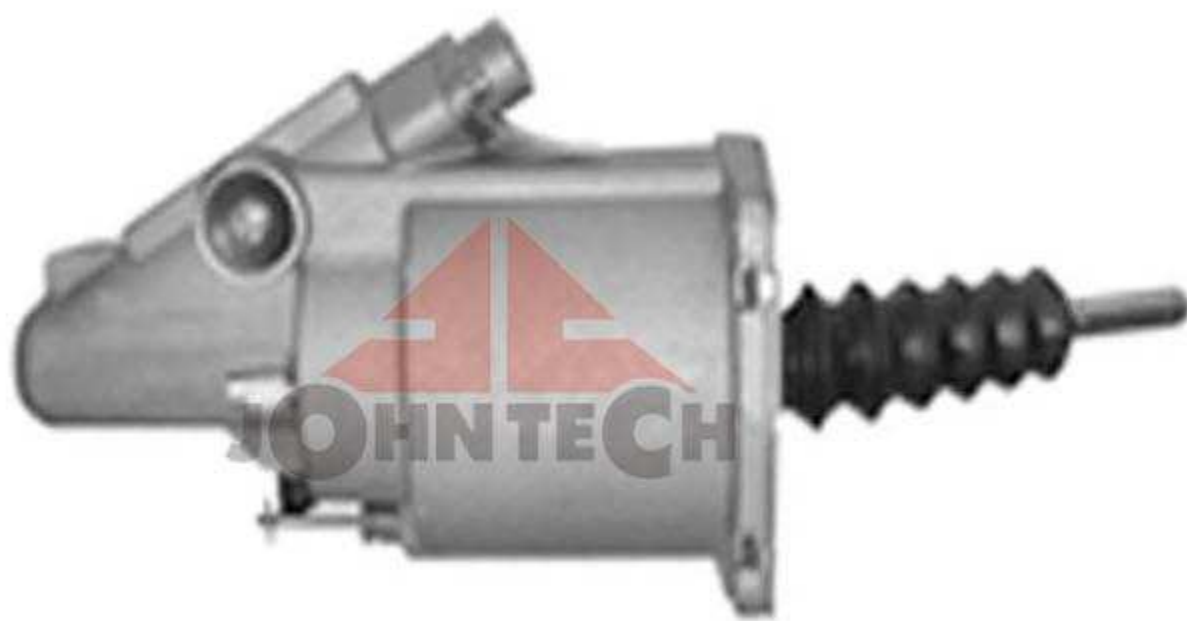
CLUTCH SERVO

JOHNTECH No: 91 028 00

REF. No.: 970 051 1590
000 295 0218

PORT: AIR. M 16 X 1.5
HYD. M 14 X 1.5

NOTES: DIA. 102 MM



CLUTCH SERVO

JOHNTECH No: 91 027 09

REF. No.:

PORT: AIR. (11) M 16 X 1.5
HYD. M 14 X 1.5

NOTES: DIA. 100 MM



CLUTCH SERVO

JOHNTECH No: 91 027 11

REF. No.: 622199 AM

PORT: AIR. (11) M 16 X 1.5
HYD. M 14 X 1.5

NOTES: DIA. 100 MM



CLUTCH SERVO

JOHNTECH No: 000 735 00

REF. No.: 626392AM
1526523

PORT: AIR. M 12 X 1.5
HYD. 7/16-20 UNF

NOTES: DIA 80 MM



CLUTCH SERVO

JOHNTECH No: 000 737 00

REF. No.: 970 051 1920
1521371

PORT: AIR. M 16 X 1.5
HYD. M 14 X 1.5

NOTES: DIA : 95 MM



CLUTCH SERVO

JOHNTECH No: 000 746 00

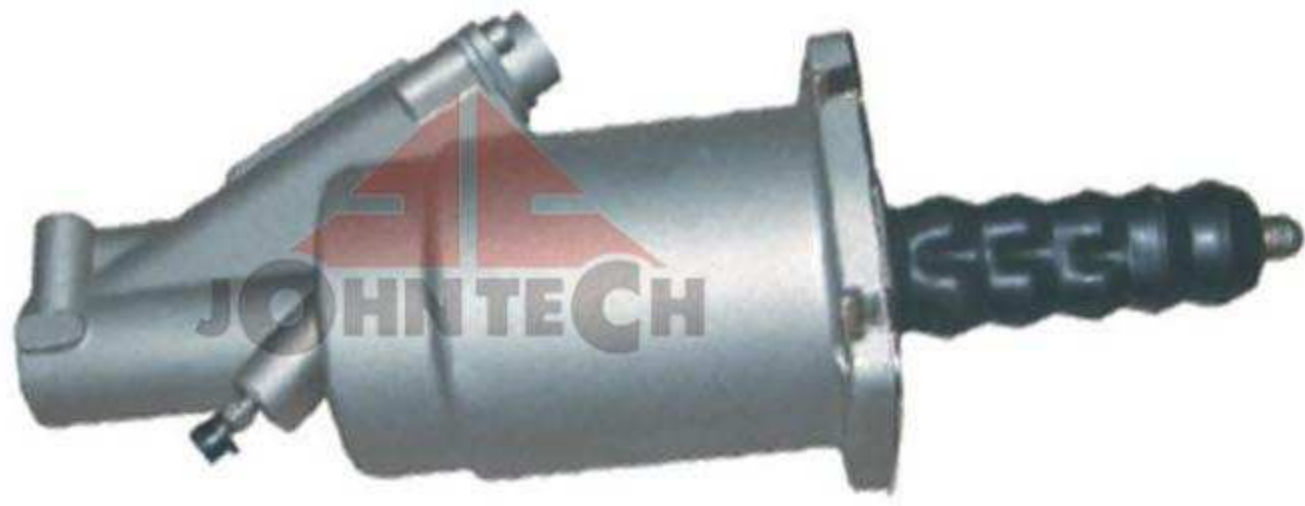
REF. No.: 1367453

PORT: HYD. M 14 X 1.5

NOTES: DIA : 100 MM

AIR BRAKE SYSTEM

QUALITÄT GERMANY



CLUTCH SERVO

JOHNTECH No: 91 027 08

REF. No.: 622785 AM

PORT: AIR. M 16 X 1.5
HYD. M 14 X 1.5

NOTES: DIA : 80 MM



CLUTCH SERVO

JOHNTECH No: 91 027 10

REF. No.: 622190 AM

PORT: AIR. M 16 X 1.5
HYD. M 14 X 1.5

NOTES: DIA : 100 MM



AIR DRYER

JOHNTECH No: 91 001 00

REF. No.: 432 410 1020
81 52102 6023

PORT: 1+21 = 22, 22 = M 12

NOTES: HEAT 24 V



AIR DRYER

JOHNTECH No: 91 032 24

REF. No.: 432 410 1040

PORT: 1+21 = M 22, 22 = M 12

NOTES: HEAT 24 V



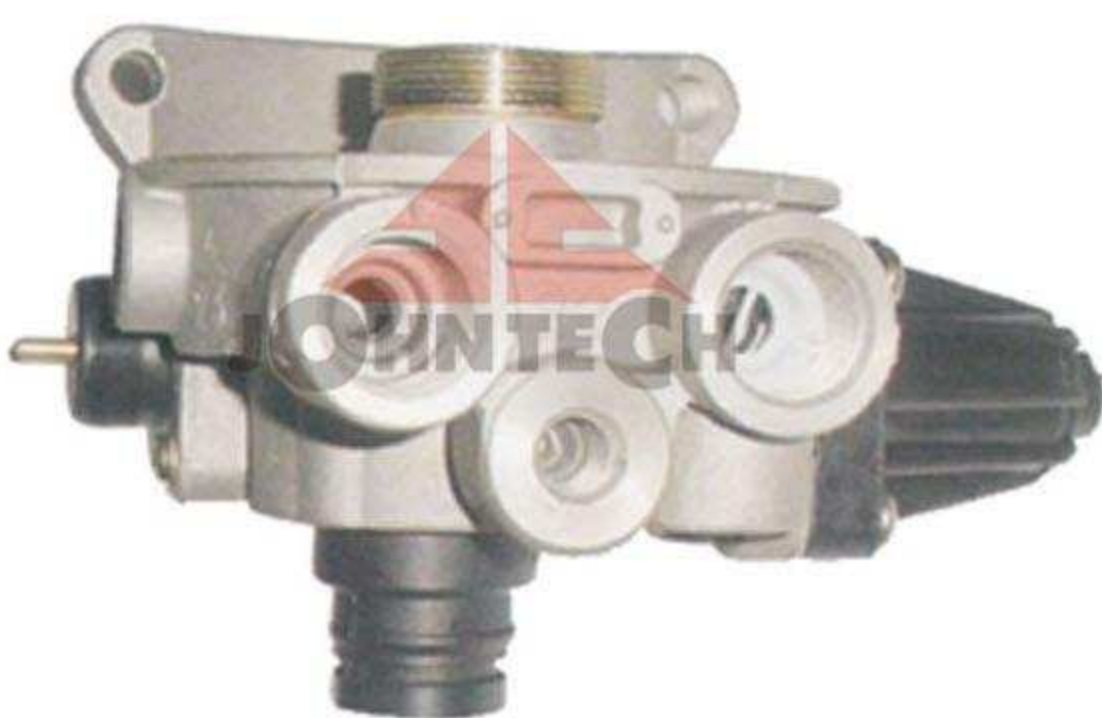
AIR DRYER

JOHNTECH No: 91 032 25

REF. No.: 432 410 1110
81 52102 6020

PORT: 1+21 = M 22, 22 = M 12

NOTES:



AIR DRYER

JOHNTECH No: 91 001 01

REF. No.:

PORT: 1: M 22 X 1.5
21: M 22 X 1.5
22: M 12 X 1.5

NOTES: HEAT 24 V

AIR BRAKE SYSTEM

QUALITÄT GERMANY



AIR DRYER

JOHNTECH No: 91 002 08 1

REF. No.: 432 420 0000
88 52102 6007

PORT: 1+21 = M 22 X 1.5
22+4 = M 12 X 1.5

NOTES: HEAT 24 V



AIR DRYER

JOHNTECH No: 91 001 02

REF. No.:

PORT: 1+21 = M 22,
22, 4 = M 12 X 1.5

NOTES: HEAT 24 V



AIR DRYER

JOHNTECH No: 91 011 06

REF. No.: LA 6210

PORT: 1+2 = M 22 X 1.5
22 = M 12 X 1.5

NOTES: HEAT 24V



AIR DRYER

JOHNTECH No: 91 002 07

REF. No.: LA 6200

PORT: 1+2 = M 22 X 1.5
22 = M 12 X 1.5

NOTES:



AIR DRYER

JOHNTECH No: 91 001 04 A

REF. No.: 932 500 0030
693 420 7871

PORT: SAFTEY 14.5 +2.5 BAR

NOTES:



AIR DRYER

JOHNTECH No: 91 002 04

REF. No.: 932 500 0030

PORT: SAFTEY 14.5 +2.5 BAR

NOTES:

AIR BRAKE SYSTEM

QUALITÄT GERMANY



AIR DRYER

JOHNTECH No: 91 001 03 A

REF. No.: 432 431 1910
1082030

PORT: 1+21 = M 22, 22 = M 16

NOTES: ORIFICE BORE 0.9 MM



AIR DRYER FILTER

JOHNTECH No: 91 068 03

REF. No.: 432 410 9272
1455253

PORT:

NOTES:



AIR DRYER FILTER

JOHNTECH No: 91 078 00

REF. No.: 432 410 0202
000 420 0897

PORT: M 39 X 1.5

NOTES:



AIR DRYER

JOHNTECH No: 91 001 05 A

REF. No.: 932 400 0020
001 431 9215

PORT: UNL. 12.0

NOTES: SAFETY 14.5 + 2.5 BAR



AIR DRYER VALVE

JOHNTECH No: 91 002 08

REF. No.: 432 421 0080
000 431 0415

MERCEDES



CONTROL VALVE

JOHNTECH No: 91 068 02

REF. No.: 000 260 6357

PORT:

NOTES:

AIR BRAKE SYSTEM

QUALITÄT GERMANY



4/3 CONTROL VALVE

JOHNTECH No: 91 032 22

REF. No.: 463 037 0010
001 997 9136

PORT: 1, 21, 22 M 10 X 1

NOTES:



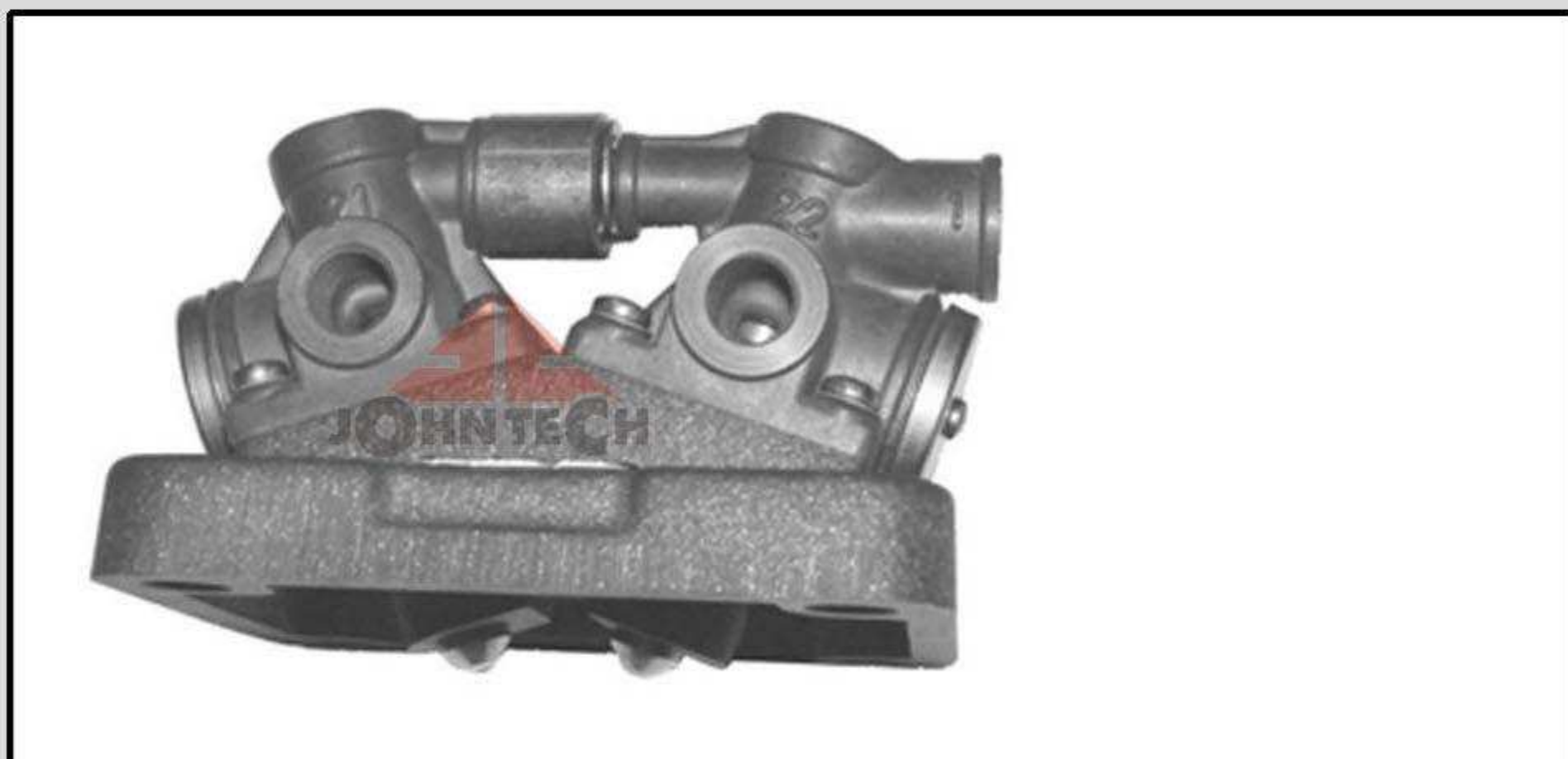
DIRECTIONAL CONTROL VALVE

JOHNTECH No: 91 067 02

REF. No.: 571 003 1040
000 260 1457

PORT: ALL PORTS = M 10 X 1

NOTES:



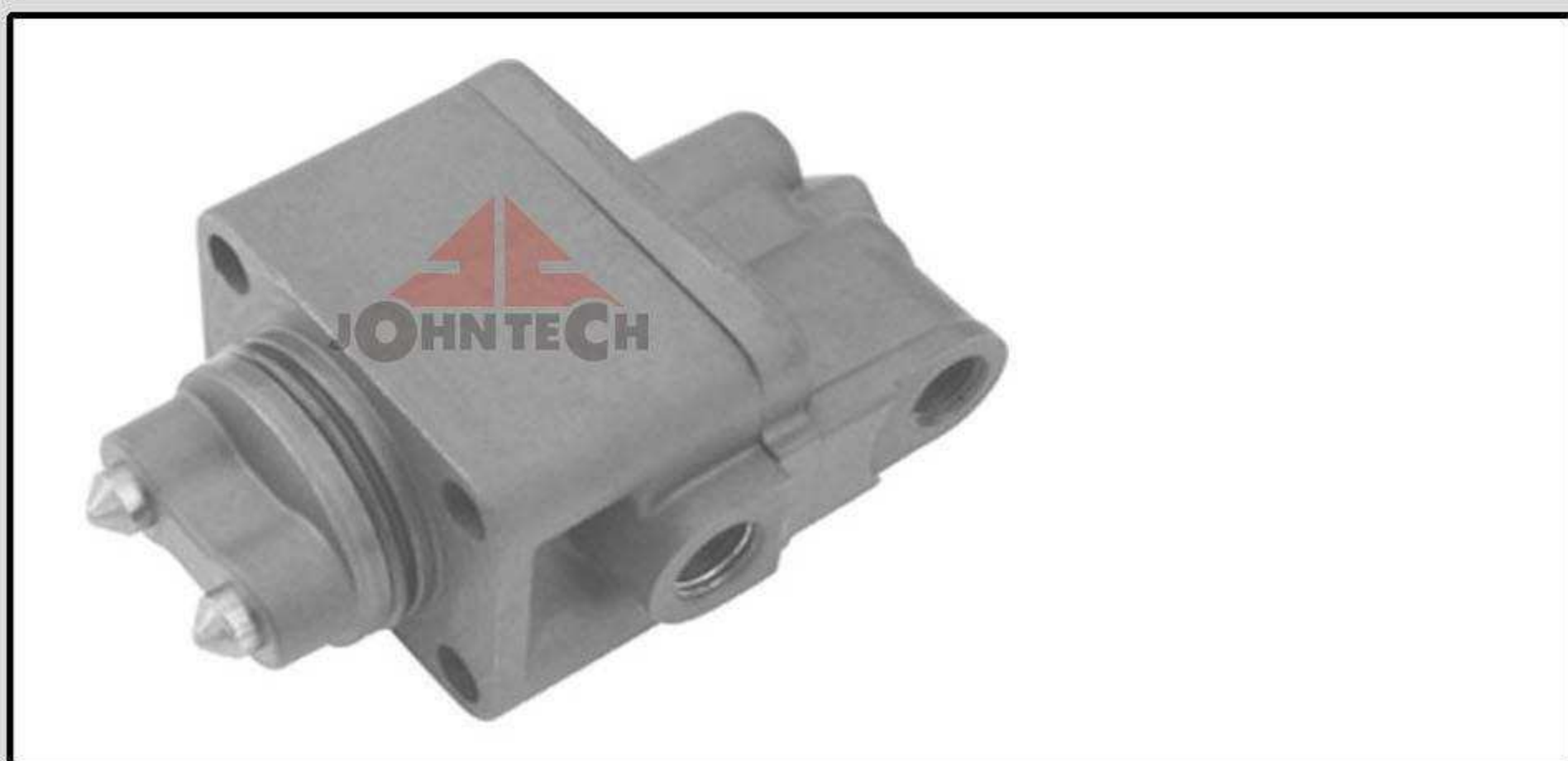
GEAR BOX VALVE

JOHNTECH No: 91 067 03

REF. No.: 463 046 0030
000 260 6857

PORT: ALL PORTS = M 12 X 1.5

NOTES:



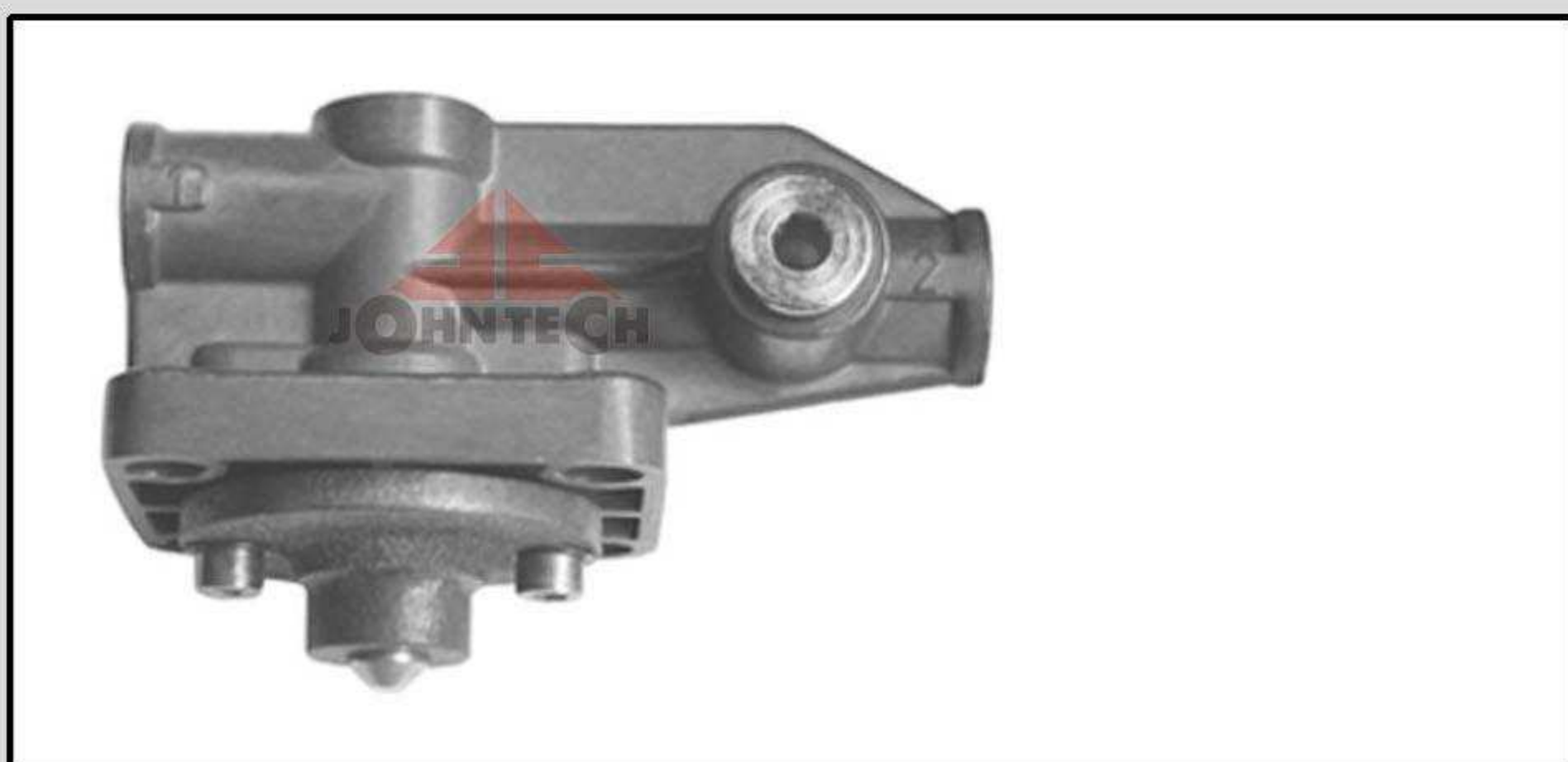
GEAR BOX VALVE

JOHNTECH No: 91 067 05

REF. No.: 463 039 0030
001 260 6757

PORT: 1 = M 12 X 1.5 2 = M 14 X 1.5

NOTES:



GEAR BOX VALVE

JOHNTECH No: 91 067 04

REF. No.: 463 028 0110
001 260 2757

PORT: ALL PORTS = M 12 X 1.5

NOTES:



GEAR BOX VALVE

JOHNTECH No: 102 001 63

REF. No.: 1068951

PORT: SUPPLY 1: 1/8" PT
DELIVERY 2 : 1/8" PT

NOTES:

AIR BRAKE SYSTEM

QUALITÄT GERMANY



GEAR BOX VALVE

JOHNTECH No: 102 001 62

REF. No.: 1669324

PORT: 1,2 M 10 X 1, M 16 X 1.5

NOTES:



GEAR BOX VALVE

JOHNTECH No: 103 001 39

REF. No.: 1319557

PORT: NPT 1/8

NOTES:



3/2 DIRECTIONAL CONTROL VALVE

JOHNTECH No: 91 067 00

REF. No.: 463 036 0000
001 997 5036

PORT: 1 + 2 = M 10 X 1

NOTES:



DOUBLE ACTING CYLINDER

JOHNTECH No: 91 063 00

REF. No.: 422 010 0100
000 260 1763

PORT: 41 + 42 = M 12 X 1.5

NOTES:



SHIFTING CYLINDER

JOHNTECH No: 91 063 01

REF NO: 000 260 5463
422 010 0140

MERCEDES



DOUBLE ACTING CYLINDER

JOHNTECH No: 91 064 00

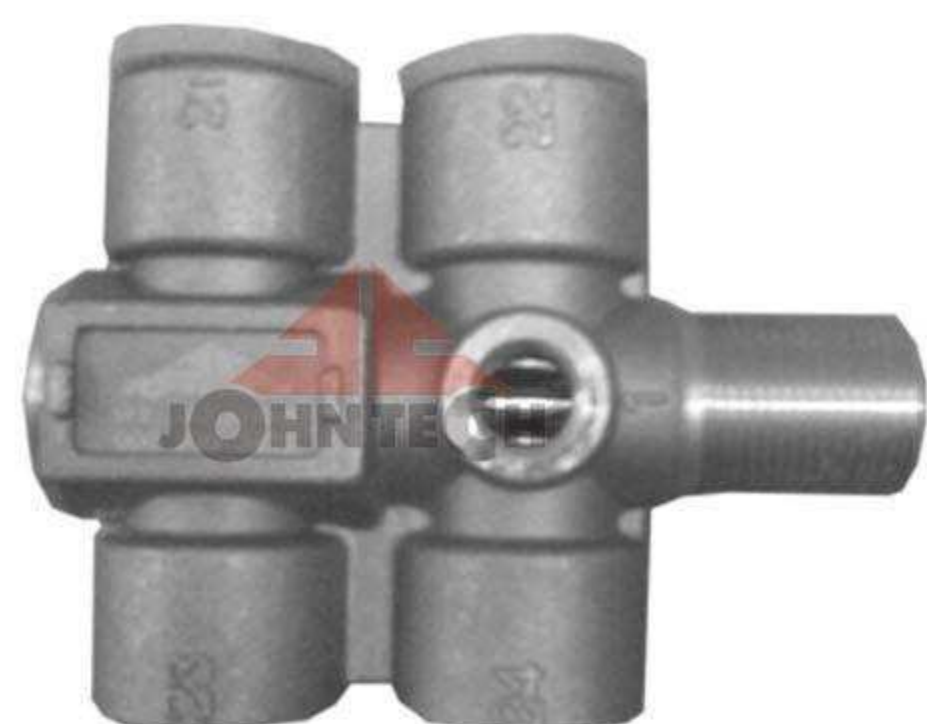
REF. No.: 422 010 0140
000 260 2803

PORT: 41+42 = M 12 X 1.5

NOTES:

AIR BRAKE SYSTEM

QUALITÄT GERMANY



DISTRIBUTOR VALVE

JOHNTECH No: 91 033 04

REF. No.: 000 990 3472

MERCEDES



LEVELING VALVE

JOHNTECH No: 91 065 03

REF. No.: SV 1294

PORT: ALL M 12 X 1.5

NOTES:



LEVELING VALVE

JOHNTECH No: 91 065 02

REF. No.: 464 006 0000
1607728

PORT: ALL M 12 X 1.5

NOTES:



LEVELING VALVE

JOHNTECH No: 91 065 07

REF. No.: SV 1280

PORT: PORT 11, 21 M 12 X 1.5
PORT 12, 23 M 16 X 1.5

NOTES:



LEVELING VALVE

JOHNTECH No: 91 065 05

REF. No.: SV 1295

PORT: ALL M 12 X 1.5

NOTES:



LEVELING VALVE

JOHNTECH No: 91 065 08

REF. No.: 464 007 0100
1430545

PORT: M 10 X 1

NOTES:

AIR BRAKE SYSTEM

QUALITÄT GERMANY



LEVELING VALVE

JOHNTECH No: 91 065 01

REF. No.: 464 006 0020
81 43610 6116

PORT: ALL M 12 X 1.5

NOTES:



LEVELING VALVE

JOHNTECH No: 91 065 04

REF. No.: SV 1310

PORT: ALL M 12 X 1.5

NOTES: 160 MM



LEVELING VALVE

JOHNTECH No: 91 065 06

REF. No.: SV 1318

PORT: ALL M 12 X 1.5

NOTES: 160 MM



UNLOADER VALVE

JOHNTECH No: 91 003 00

REF. No.: 975 300 1100
001 431 1206

PORT: 1+21 = M 22 X 1.5

NOTES: CUT OUT PRESSURE 8.1BAR



UNLOADER VALVE

JOHNTECH No: 91 002 01

REF. No.: 975 303 4640
001 431 0606

PORT: 1+21 = M 22 X 1.5

NOTES: CUT OUT PRESSURE
8.1 BAR



UNLOADER VALVE

JOHNTECH No: 91 002 00

REF. No.: 975 303 4740
002 431 1506

PORT: 1+21 = M 22 X 1.5
23+4 = M 12 X 1.5

NOTES: CUT OUT PRESSURE
8.1 BAR

AIR BRAKE SYSTEM

QUALITÄT GERMANY



UNLOADER VALVE

JOHNTECH No: 91 022 01

REF. No.: 975 303 4730
001 431 0006

PORT: 1+21 = M 22 X 1.5

NOTES: CUT OUT PRESSURE
8.1 BAR



GOVERNOR VALVE

JOHNTECH No: 91 004 00

REF. No.: 15050479

PORT: ALL 1/8 NPT

NOTES: CUT OUT PRESSURE
95-110 PSI



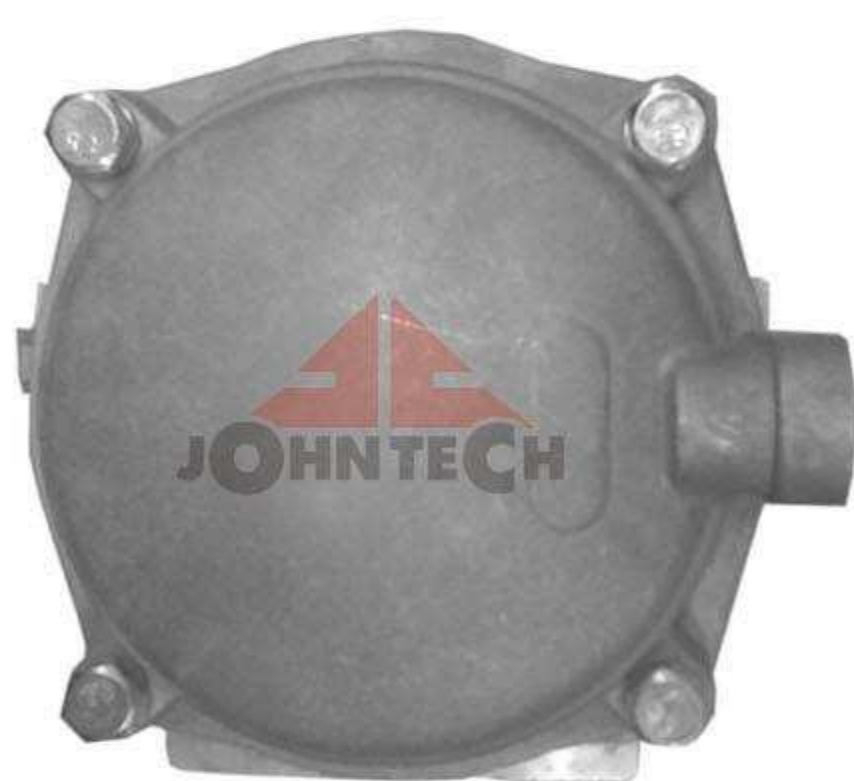
PRESSURE LIMITING VALVE

JOHNTECH No: 91 022 03

REF. No.: 475 010 4000
81 52101 6286

PORT: ALL M 22 X 1.5 VOSS

NOTES: SETTING 8.0 BAR



RELAY VALVE

JOHNTECH No: 91 038 03

REF. No.: 280375

MERCEDES



RELAY EMERGENCY VALVE

JOHNTECH No: 91 035 00

REF. No.: 280375

PORT: 1/2 PT 3/8 PT

NOTES:



FOOT BRAKE VALVE

JOHNTECH No: 91 017 09

REF. No.: 286171

MERCEDES

AIR BRAKE SYSTEM

QUALITÄT GERMANY



FOOT BRAKE VALVE

JOHNTECH No: 91 017 11

REF. No.: MB 4434
81 52130 6158

PORT: 4 X M 16 X 1.5

NOTES:



FOOT BRAKE VALVE

JOHNTECH No: 91 017 06

REF. No.: 91 017 06

PORT: 11 + 12 / 21 + 22 = NPT 3/8

NOTES: ANGLE 45 DEG



FOOT BRAKE VALVE

JOHNTECH No: 91 017 04

REF. No.: 461 315 2580
003 431 1505

PORT: ALL PORTS M 22 X 1.5

NOTES: PRED. 0.4 BAR



FOOT BRAKE VALVE

JOHNTECH No: 91 017 03

REF. No.: 461 315 2480

PORT: ALL PORTS M 22 X 1.5

NOTES: PRED. 0.3 BAR



FOOT BRAKE VALVE

JOHNTECH No: 91 079 01

REF. No.: 461 319 2710
003 431 1705

PORT: 11+ 12 / 21 + 22 = M 22
4 = M 16 VOSS

NOTES: PRED. 0.4 BAR



FOOT BRAKE VALVE

JOHNTECH No: 91 079 00

REF. No.: 461 319 2600
002 431 7005

PORT: 11+ 12 / 21 + 22 = M 22
4 = M 16 VOSS

NOTES:

AIR BRAKE SYSTEM

QUALITÄT GERMANY



FOOT BRAKE VALVE

JOHNTECH No: 91 017 02

REF. No.: 461 315 2640
004 431 4605

PORT: ALL PORT M 22 X 1.5 VOSS

NOTES: PRED. 0.5 BAR



FOOT BRAKE VALVE

JOHNTECH No: 91 016 00

REF. No.: 461 315 0080
001 431 8305

PORT: M 16 X 1.5

NOTES: PRED. 0.3 BAR



FOOT BRAKE VALVE

JOHNTECH No: 91 017 01

REF. No.: 461 315 0040
002 431 5405

PORT: M 16 X 1.5
2 X M 12 X 1.5 GUAGE
PORT

NOTES:



FOOT BRAKE VALVE

JOHNTECH No: 91 017 00

REF. No.: 461 315 0420
1613328

PORT: M 16 X 1.5
2 X M 12 X 1.5 GUAGE
PORT

NOTES:



FOOT BRAKE VALVE

JOHNTECH No: 91 017 05

REF. No.: 461 317 0510
8285 434 000

PORT: 11+12/21 + 22 = M 16 X 1.5

NOTES: PRED. 0.3



FOOT BRAKE VALVE

JOHNTECH No: 91 018 00

REF. No.: 461 319 0080
002 431 0605

PORT: M 16 X 1.5
4 = M 12 X 1.5

NOTES: PRED. 0.3 BAR

AIR BRAKE SYSTEM

QUALITÄT GERMANY



FOOT BRAKE VALVE

JOHNTECH No: 91 017 16

REF. No.: MB 4694
1337184

PORT: 5 X M 22 X 1.5 VOSS

NOTES:



FOOT BRAKE VALVE

JOHNTECH No: 91 017 15

REF. No.: DX 75 BA

PORT: 11,12,21,22 M 16 X 1.5

NOTES:



FOOT BRAKE VALVE

JOHNTECH No: 91 017 13

REF. No.: MB 4636
665062

PORT: 6 X M 16 X 1.5

NOTES:



FOOT BRAKE VALVE

JOHNTECH No: 102 003 56

REF. No.: MB 4690
16208491

PORT: 8 X M 16 / 3 X M 12

NOTES: PRED. 0.2 BAR



FOOT BRAKE VALVE

JOHNTECH No: 91 017 17

REF. No.: DX 70 C
001 431 8305

PORT: 11,12,21,22 M 16 X 1.5
11, 12 M 12 X 1.5

NOTES:



FOOT BRAKE VALVE

JOHNTECH No: 91 083 02

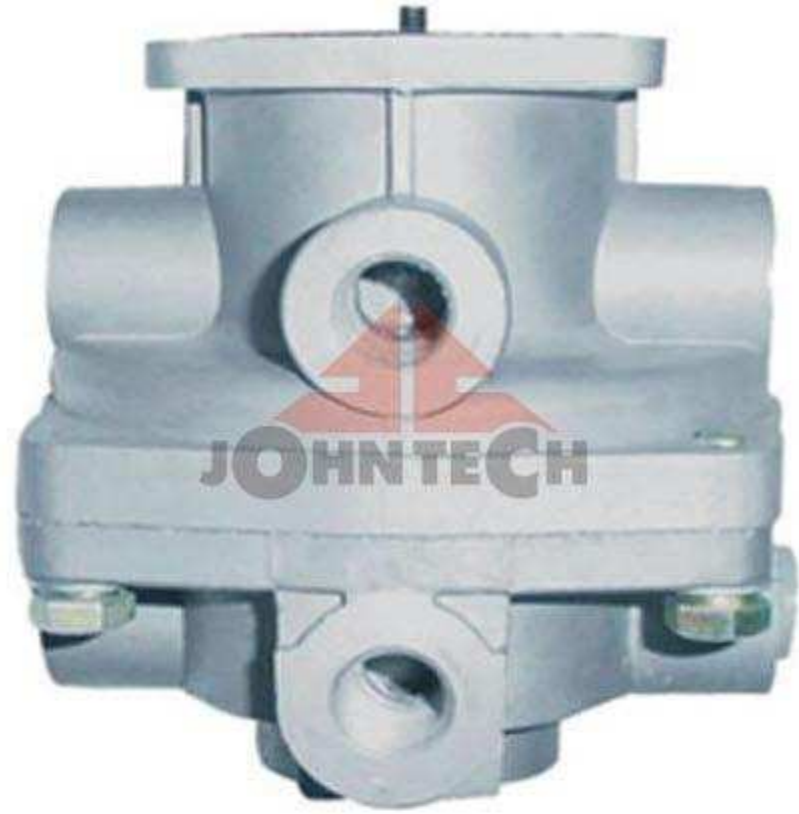
REF. No.: 470 012 0000
001 431 3505

PORT: ALL M 16 X 1.5

NOTES: PRED. 0.25 BAR

AIR BRAKE SYSTEM

QUALITÄT GERMANY



FOOT BRAKE VALVE

JOHNTECH No: 91 083 01

REF. No.: 461 307 4790
81 52130 6031

PORT: ALL M 22 X 1.5

NOTES: PRED. 0.25 BAR FIXED



FOOT BRAKE VALVE

JOHNTECH No: 91 083 00

REF. No.: 461 307 4390
001 431 9305

PORT: ALL M 16 X 1.5

NOTES: PRED. 0.25 BAR FIXED



FOOT BRAKE VALVE

JOHNTECH No: 91 017 08

REF. No.: 461 491 1020
000 431 9305

PORT: ALL PORTS M 22 X 1.5

NOTES: PRED. 0.25 BAR



FOOT BRAKE VALVE

JOHNTECH No: 91 068 04

REF. No.: 461 315 1800
1324662

PORT:

NOTES:



FOUR CIRCUIT PROTECTION VALVE

JOHNTECH No: 91 023 02

REF. No.: 934 702 2400
002 420 9224

PORT: M 22 X 1.5 11,12
21, 22,23,24 M 16 X 1.5

NOTES:



FOUR CIRCUIT PROTECTION VALVE

JOHNTECH No: 91 021 00

REF. No.: 934 702 2500
002 431 4006

PORT: M 22 X 1.5,
21,22,23,24 M 16 X 1.5

NOTES: OPEN PRESS 21,22,23,24
7.0 BAR

AIR BRAKE SYSTEM

QUALITÄT GERMANY



FOUR CIRCUIT PROTECTION VALVE

JOHNTECH No: 91 023 00

REF. No.: 934 702 2100
001 431 3506

PORT: 11,12, 21,22,23,24 M 16X1.5

NOTES: OPEN PRESS 21,22,23,24
7.0 BAR



FOUR CIRCUIT PROTECTION VALVE

JOHNTECH No: 91 023 01

REF. No.: 001 431 0106

PORT: M 22 X 1.5
21,22,23,24 M 16 X 1.5

NOTES:



FOUR CIRCUIT PROTECTION VALVE

JOHNTECH No: 91 083 03

REF. No.: 934 702 3400
001 431 3906

PORT: M 22 X 1.5
21,22,23,24 M 16 X 1.5

NOTES: 21,22,23,24 : 7.0 BAR



FOUR CIRCUIT PROTECTION VALVE

JOHNTECH No: 91 023 03

REF. No.: 934 714 0100
81 52151 6082

PORT: M 22 X 1.5
21,22,23,24 M 16 X 1.5

NOTES: 21,22,23,24 : M 16 X 1.5



FOUR CIRCUIT PROTECTION VALVE

JOHNTECH No: 91 068 05

REF. No.: AE 4440
501 0422 971

PORT: M 22 X 1.5
21,22,23,24 : 9 MM

NOTES: 21,22 : 3.4 BAR



MULTI CIRCUIT PROTECTION VALVE

JOHNTECH No: 91 023 04

REF. No.: 934 705 0020
003 431 5506

PORT: M 22 X 1.5

NOTES: OPEN 1+2: 9.0, 3+4 7.5 BAR
CLOSE 1+2 7.0 3+4 4.5 BAR

AIR BRAKE SYSTEM

QUALITÄT GERMANY



3/2 DIRECTIONAL CONTROL VALVE

JOHNTECH No: 91 067 09

REF. No.: 463 036 0050
0481 007 035

PORT: 1+2 = M 16 VOSS
3 = M 10 X 1

NOTES:



CONTROL VALVE

JOHNTECH No: 91 068 07

REF. No.: 81 52170 6156

PORT:

NOTES:



QUICK RELEASE VALVE

JOHNTECH No: 91 048 00

REF. No.: 973 500 0000
000 429 0644

PORT: 2 M 22 X 1.5
3 M 22 X 1.5

NOTES:



QUICK RELEASE VALVE

JOHNTECH No: 91 049 00

REF. No.: 973 500 0060
50 0012 2053

PORT: 1. 11, M 16 X 1.5
2 M 16 X 1.5

NOTES:



QUICK RELEASE VALVE

JOHNTECH No: 91 099 03

REF. No.: 91 099 03

PORT: 1 (11) 1/2 NPT
2, 3/8 NPT

NOTES:



QUICK RELEASE VALVE

JOHNTECH No: 91 099 04

REF. No.: 91 099 04

PORT: 1 (11). 1/4 NPT

NOTES:

AIR BRAKE SYSTEM

QUALITÄT GERMANY



RELAY VALVE

JOHNTECH No: 91 031 00

REF. No.: 973 001 0100
003 429 5244

PORT: 1 = M 22, 2, 4 = M 22

NOTES:



RELAY VALVE

JOHNTECH No: 91 032 00

REF. No.: 973 001 0200
000 429 3044

PORT: 1 = M22 2, 4 = M 16

NOTES:



STOP COCK

JOHNTECH No: 91 054 02

REF. No.: 91 054 02

PORT: THREAD 1 = M 22 X 1.5
2 = M 16 X 1.5

NOTES:



RELAY VALVE

JOHNTECH No: 91 032 02

REF. No.: 473 017 0050
0812 0458

PORT: ALL PORT M 22 X 1.5

NOTES:



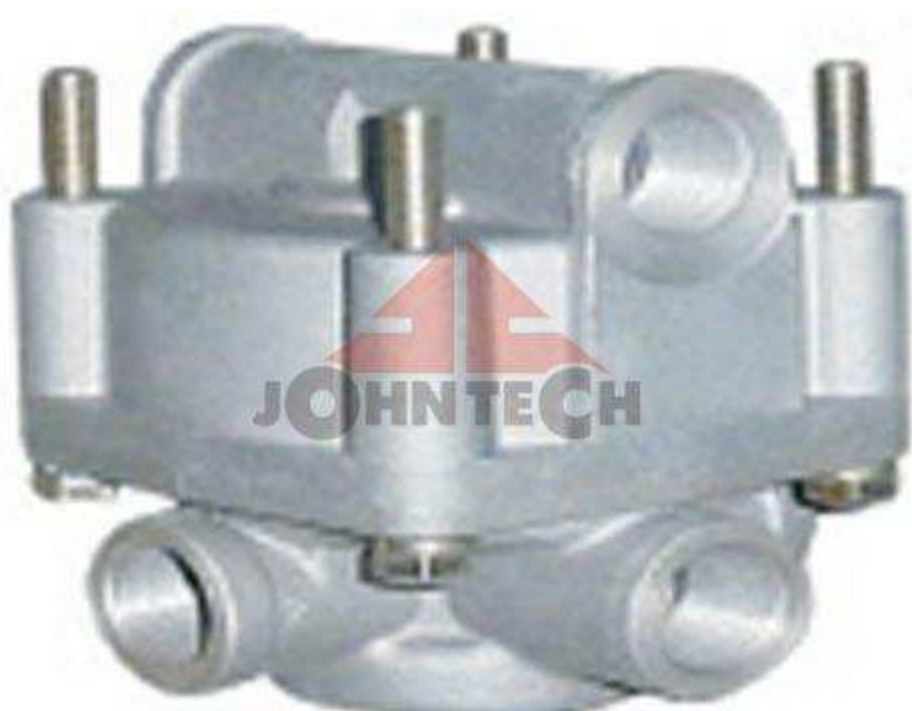
RELAY VALVE

JOHNTECH No: 91 032 01

REF. No.: 973 011 0000
000 429 3044

PORT: 1,2 = M 22 4 = M 16

NOTES:



RELAY VALVE

JOHNTECH No: 91 032 03

REF. No.: 473 017 0070

PORT: ALL PORT M 22 X 1.5

NOTES:

AIR BRAKE SYSTEM

QUALITÄT GERMANY



RELAY VALVE

JOHNTECH No: 91 032 07

REF. No.: 973 011 2000
004 429 7644

PORT: 1.2 M 22 X 1.5
41,42 = M 16 X 1.5

NOTES:



RELAY VALVE

JOHNTECH No: 91 032 05

REF. No.: 472 195 0310
50 2117 0197

PORT: 1+2 = M 22 X 1.5,
4 = M 16 X 1.5

NOTES:



RELAY VALVE

JOHNTECH No: 91 032 04

REF. No.: 472 195 0410
50 2117 0198

PORT: 1+2 = M 22 X 1.5
4 = M 16 X 1.5

NOTES: 24 V BAYONET SOLENOID



RELAY VALVE

JOHNTECH No: 91 032 06

REF. No.: 973 011 2050
005 429 1044

PORT: 1,2 M 22 X 1.5
41,42, M 16 X 1.5

NOTES:



RELAY VALVE

JOHNTECH No: 91 037 00

REF. No.: 971 002 1520
1325335

PORT: 1 2 = M 22 2 = 4 X M 16 +
1 X M 22 PORT 4 = M 16

NOTES:



RELAY EMERGENCY VALVE

JOHNTECH No: 91 038 01

REF. No.: 971 002 5310
02 431 14 90 0

PORT:

NOTES: ADJUSABLE 0-1.0 BAR

AIR BRAKE SYSTEM

QUALITÄT GERMANY



RELAY EMERGENCY VALVE

JOHNTECH No: 91 039 00

REF. No.: 971 002 1500
81 52301 9148

PORT: ALL PORTS M 22 X 1.5

NOTES: PRED. 0 BAR



RELAY EMERGENCY VALVE

JOHNTECH No: 91 038 02

REF. No.: 971 002 7000

PORT:

NOTES: FIXED AT 0 BAR



SHUT OFF COCK

JOHNTECH No: 91 059 00

REF. No.: 452 002 1070
000 429 0631

PORT: M 22 X 1.5

NOTES:



RELEASE VALVE

JOHNTECH No: 91 096 00

REF. No.: 963 001 0010
82 52310 6008

PORT: 1 = M 22 X 1.5

NOTES:



RELEASE VALVE

JOHNTECH No: 91 096 02

REF. No.: 963 001 0130
1010127

PORT: 1 = M 22 X 1.5

NOTES:



RELEASE VALVE

JOHNTECH No: 91 096 01

REF. No.: 963 006 0010
50 21170 428

PORT: ALL M 16 X 1.5

NOTES:

AIR BRAKE SYSTEM

QUALITÄT GERMANY



RELEASE VALVE

JOHNTECH No: 91 085 00

REF. No.: 475 604 0110
81 52161 6225

PORT: 1 + 2 = M 22 X 1.5

NOTES:



RELEASE VALVE

JOHNTECH No: 91 096 03

REF. No.: 963 001 0120
50 21170 423

PORT: 1 = M 16 X 1.5

NOTES:



TRAILER CONTROL VALVE

JOHNTECH No: 91 040 00

REF. No.: 973 002 4020
001 431 1805

PORT: ALL M 16 X 1.5

NOTES: FIXED 0 BAR



TRAILER CONTROL VALVE

JOHNTECH No: 91 042 00

REF. No.: 973 009 3000
81 52301 6015

PORT: 11,12,22,41,42 = M 22 X 1.5

NOTES:



TRAILER CONTROL VALVE

JOHNTECH No: 91 043 00

REF. No.: 973 009 0100
1350096

PORT: ALL M 16 X 1.5

NOTES: PRED. 0.4 BAR



TRAILER CONTROL VALVE

JOHNTECH No: 91 043 02

REF. No.: 973 009 0010
003 431 1405

PORT: 11,12,22,41, = M 16 X 1.5

NOTES: PRED. 0.2 BAR

AIR BRAKE SYSTEM

QUALITÄT GERMANY



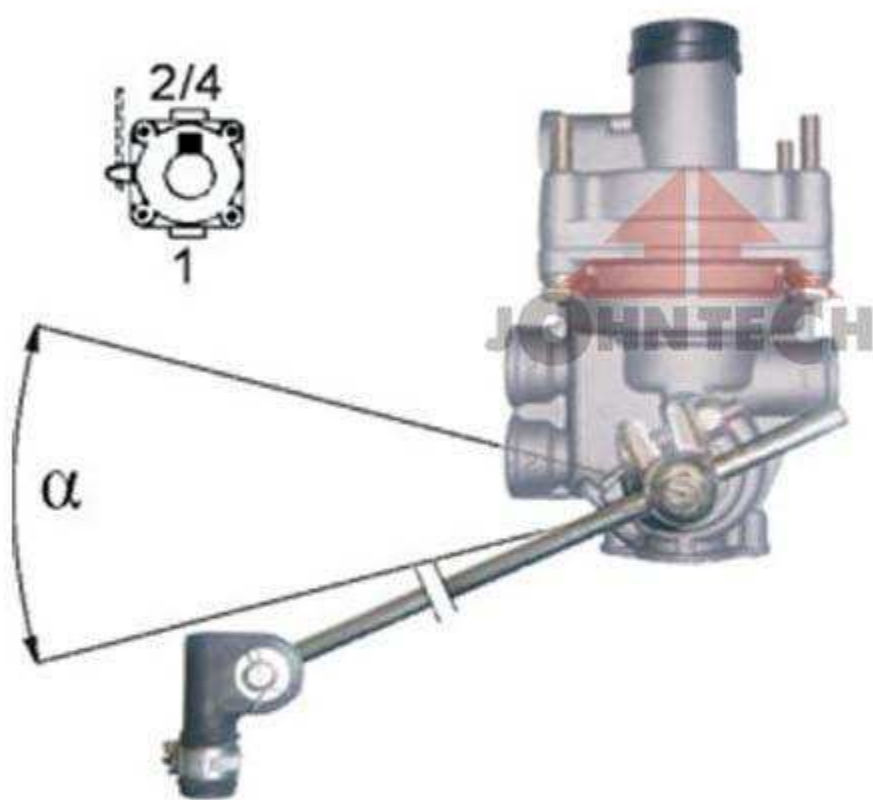
LOAD SENSING RELAY VALVE

JOHNTECH No: 91 019 02

REF. No.: 475 710 0220

PORT: 1 = M 22 X 1.5 2 = M 16 X 1.5

NOTES: RATIO: 1.8



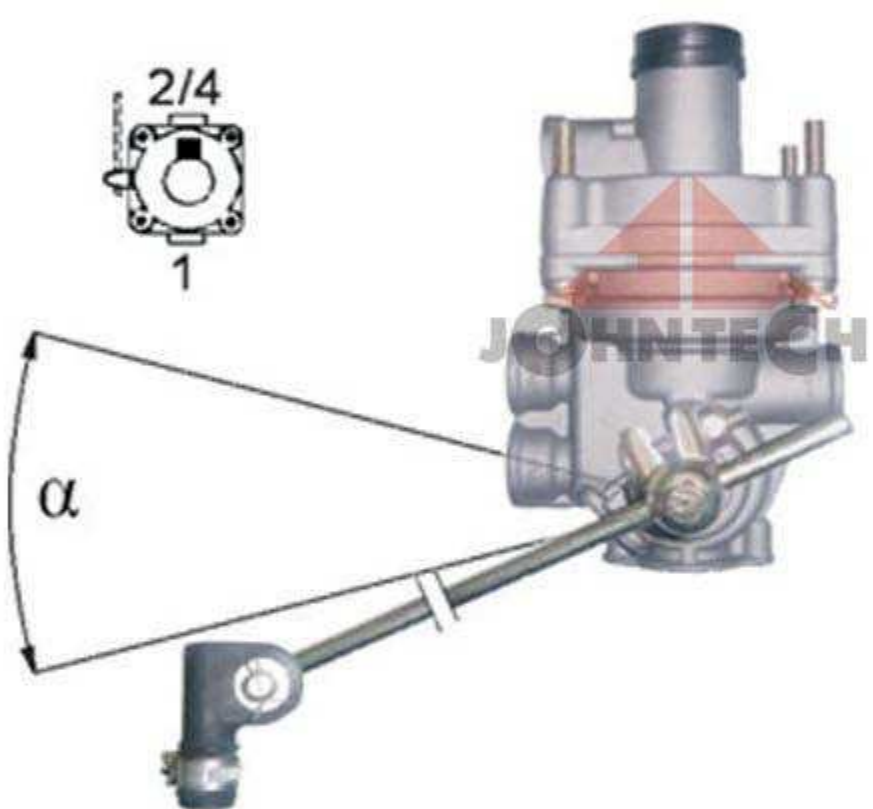
LOAD SENSING RELAY VALVE

JOHNTECH No: 91 019 01

REF. No.: 475 710 0080
001 431 8212

PORT: 1 = M 22 X 1.5

NOTES:



LOAD SENSING RELAY VALVE

JOHNTECH No: 91 019 04

REF. No.: 475 710 0360
001 431 8112

PORT: 1 = M 22 X 1.5 2 = M 22 X 1.5
4 = M 16 X 1.5

NOTES:



LOAD SENSING RELAY VALVE

JOHNTECH No: 91 019 03

REF. No.: 475 712 0040
1518127

PORT: 1 = M 16, 1-2 = M 22
UNDER = M16 ,4 = M 16

NOTES:



LOAD SENSING RELAY VALVE

JOHNTECH No: 91 032 11

REF. No.: 475 715 5000
1506232

PORT: 1, 2 = M 22 X 1.5
1, 2 = M 16 X 1.5
41, 42 = M 12 X 1.5

NOTES: RATIO : 1.8



LOAD SENSING RELAY VALVE

JOHNTECH No: 91 080 00

REF. No.: 475 711 1080

PORT: 1 = M 22 X 1.5
2 = M16 X 1.5
41, 42 = M 12 X 1.5

NOTES: RATIO : 1.8

AIR BRAKE SYSTEM

QUALITÄT GERMANY



CHECK VALVE

JOHNTECH No: 91 056 00

REF. No.: 314 001 001
003 429 6244

PORT: 1+2 = M 22 X 1.5

NOTES:



CHECK VALVE

JOHNTECH No: 91 056 01

REF. No.: 91 056 01

PORT: 1 = M 22 X 1.5
2 = M 22 X 1.5

NOTES:



PARKING BRAKE VALVE

JOHNTECH No: 91 072 01

REF. No.: 961 723 0040
6702610

PORT: 1, 2, = M 16 X 1.5

NOTES:



PARKING BRAKE VALVE

JOHNTECH No: 91 047 00

REF. No.: 961 723 0010

PORT: 1,2, = M 16 X 1.5

NOTES:



PARKING BRAKE VALVE

JOHNTECH No: 91 046 02

REF. No.: 961 722 1510
001 430 0081

PORT: 1, 2, = M 14 X 1.5

NOTES:



PARKING BRAKE VALVE

JOHNTECH No: 91 071 00

REF. No.: 961 722 2120
000 430 9581

PORT:

NOTES: SLIDE LOCK

AIR BRAKE SYSTEM

QUALITÄT GERMANY



PARKING BRAKE VALVE

JOHNTECH No: 91 032 12

REF. No.: 961 722 3140
390286

PORT: 1,21,22 : M 14 X 1.5

NOTES:



PARKING BRAKE VALVE

JOHNTECH No: 91 046 00

REF. No.: 961 722 2520
001 430 0281

PORT: 11,21,22 : M 14 X 1.5

NOTES:



PARKING BRAKE VALVE

JOHNTECH No: 91 072 03

REF. No.: APSA 5890

PORT: ¼ NPT

NOTES:



FLICK LEVER CONTROL VALVE

JOHNTECH No: 91 072 04

REF. No.: 91 072 04

PORT: M 10 X 1

NOTES:



PARKING BRAKE VALVE

JOHNTECH No: 91 072 02

REF. No.: 961 723 0190
81 52315 5160

PORT: M 16 X 1.5

NOTES:



PARKING BRAKE VALVE

JOHNTECH No: 91 072 00

REF. No.: 961 723 1040
002 430 7581

PORT: M 16 X 1.5

NOTES:

AIR BRAKE SYSTEM

QUALITÄT GERMANY



PARKING BRAKE VALVE

JOHNTECH No: 91 032 15

REF. No.: DPM 94 AAX

PORT: 2 X M16 X 1.5

NOTES:



PARKING BRAKE VALVE

JOHNTECH No: 91 083 04

REF. No.: 961 702 0040
000 430 8581

PORT: ALL M 14 X 1.5

NOTES:



PARKING BRAKE VALVE

JOHNTECH No: 91 068 00

REF. No.: 961 702 0010
000 430 5781

PORT: ALL M 14 X 1.5

NOTES:



CHARGING VALVE

JOHNTECH No: 91 060 00

REF. No.: 314 013 005
001 429 4144

PORT: M 22 X 1.5

NOTES:



PRESSURE LIMITING VALVE

JOHNTECH No: 91 060 02

REF. No.: 475 015 0310

PORT: 1+2 = M 16 X 1.5

NOTES:



CHARGING VALVE

JOHNTECH No: 91 060 01

REF. No.: 0481 100 9026

PORT: 1+2 = M 22 X 1.5

NOTES: ADJUSTABLE 3.5-6.0 BAR

AIR BRAKE SYSTEM

QUALITÄT GERMANY



PRESSURE LIMITING VALVE

JOHNTECH No: 91 060 03

REF. No.: 475 010 0250

PORT: 1+2 = M 22 X 1.5

NOTES: ADJUSTABLE 3.5-6.0 BAR



DOUBLE CHECK VALVE

JOHNTECH No: 91 055 00

REF. No.: 434 208 0090
002 429 9544

PORT: 11,12, +2 = M 16 X 1.5

NOTES:



DOUBLE CHECK VALVE

JOHNTECH No: 91 055 01

REF. No.: 434 208 0000
001 429 2444

PORT: 11,12, +2 = M 22 X 1.5

NOTES:



3/2 BUTTON VALVE

JOHNTECH No: 91 051 00

REF. No.: 463 013 1120
000 434 1001

PORT: 1 + 2 + 3 = M 12 X 1.5

NOTES: L : 37.9



CONTROL VALVE

JOHNTECH No: 102 004 25

REF. No.: 1653156

PORT: 11,12 : M 10 X 1
2 : M10 X 1

NOTES:



3/2 DIRECTIONAL CONTROL VALVE

JOHNTECH No: 91 050 03

REF. No.: 463 022 0200
268759

PORT: 1+2 : M 10 X 1

NOTES:

AIR BRAKE SYSTEM

QUALITÄT GERMANY



3/2 BUTTON VALVE

JOHNTECH No: 91 052 00

REF. No.: 463 013 1140
000 430 0509

PORT: 1 + 2 + 3 = M 12 X 1.5

NOTES: L : 95.6



3/2 DIRECTIONAL CONTROL VALVE

JOHNTECH No: 91 050 01

REF. No.: 463 013 2100
003 997 7036

PORT: 1 + 21 = M 16 X 1.5
22 + 3 = M 12 X 1.5

NOTES:



3/2 DIRECTIONAL VALVE

JOHNTECH No: 91 050 02

REF. No.: 463 013 2000
000 434 3801

PORT: 1 + 2 = M 16, 3 = M12 X 1.5

NOTES:



ROTARY SLIDE VALVE

JOHNTECH No: 91 098 00

REF. No.: 463 032 0200
000 327 5125

PORT: 1 = M 16, M 12

NOTES:



SOLENOID VALVE

JOHNTECH No: 91 093 06

REF. No.: 338 050 101
3944186

PORT: M 16, 11,12,13,22 = M12
3 = M 22

NOTES:



PIPE CONNECTOR

JOHNTECH No: 91 054 01

REF. No.: 91 054 01

PORT: M 16 X1.5

NOTES:

AIR BRAKE SYSTEM

QUALITÄT GERMANY



LINE FILTER

JOHNTECH No: 91 093 04

REF. No.: 432 500 0200
000 429 1795

PORT: 1,2, M 22 X 1.5

NOTES:



BRAKE VALVE

JOHNTECH No: 91 017 10

REF. No.: 277863

PORT: ½ NPT

NOTES:



QUICK RELEASE VALVE

JOHNTECH No: 91 099 01

REF. No.: 289714

PORT: ¼ PT 3/8 PT

NOTES:



RELAY VALVE

JOHNTECH No: 91 034 00

REF. No.: M 302610

PORT: RC ¼

NOTES:



EMERGENCY VALVE

JOHNTECH No: 91 033 00

REF. No.: 281860

PORT: ¾ NPT, 3/8 NPT

NOTES:



ABS DUAL MODULATOR RELAY VALVE

JOHNTECH No: 93 007 08

REF. No.: 472 195 0400

PORT: 1 = M 22 X 1.5
2 = 6X M 22 X 1.5
4 = M 16 X 1.5

NOTES:

AIR BRAKE SYSTEM

QUALITÄT GERMANY



ABS MODULATOR VALVE

JOHNTECH No: 93 007 03

REF. No.: 472 195 0180

PORT: 1+2 = M 22 X 1.5

NOTES:



FOUR CIRCUIT PROTECTION VALVE

JOHNTECH No: 91 033 01

REF. No.: 934 702 2600
002 431 7806

PORT: 1 : M 22 X 1.5
21,22,23,24 : M 22 X 1.5

NOTES: 7.0 BAR



FOOT BRAKE VALVE

JOHNTECH No: 91 017 14

REF. No.: DX 95 B

PORT: 11,12,21,22 = M 16 X 1.5

NOTES:



FOUR CIRCUIT PROTECTION VALVE

JOHNTECH No: 91 022 00

REF. No.: 934 702 0000

PORT: 1 = M22 X 1.5
21,22,23,24 + M 16 X 1.5

NOTES:



TRAILOR CONTROL VALVE

JOHNTECH No: 91 041 00

REF. No.: 973 002 5200
001 431 6705

PORT: ALL PORT : M 16 X 1.5

NOTES:



GEAR BOX VALVE

JOHNTECH No: 91 067 06

REF. No.: 001 260 8457

PORT: 1 + 21 + 22 = M 12 X 1.5

NOTES:

AIR BRAKE SYSTEM

QUALITÄT GERMANY



DIRECTIONAL CONTROL VALVE

JOHNTECH No: 91 070 00

REF. No.: 001 260 2057

PORT: ALL PORT NPT 1/8

NOTES:



PARKING BRAKE VALVE

JOHNTECH No: 91 072 05

REF. No.: 961 721 0000

PORT: 1,2 = M 14 X 1.5

NOTES:



CLUTCH SERVO REPAIR KIT

JOHNTECH No: 91 027 012

REF. No.: 970 051 0022
000 290 0667

PORT:

NOTES:



AIR DRYER REPAIR KIT

JOHNTECH No: 91 001 05

REF. No.: 187917

PORT:

NOTES:



REPAIR KIT FOR UNLOADER VALVE

JOHNTECH No: 91 003 01

REF. No.: 975 300 0002
001 586 4343

PORT:

NOTES:



REPAIR KIT FOR UNLOADER VALVE

JOHNTECH No: 91 004 01

REF. No.: 280915

PORT:

NOTES:

AIR BRAKE SYSTEM

QUALITÄT GERMANY



REPAIR KIT FOR FOOT BRAKE VALVE

JOHNTECH No: 91 016 01

REF. No.: 461 315 0052
001 430 0460

PORT:

NOTES:



REPAIR KIT FOR FOOT BRAKE VALVE

JOHNTECH No: 91 018 02

REF. No.: 461 315 9202
000 430 8106

PORT:

NOTES:



REPAIR KIT FOR FOOT BRAKE VALVE

JOHNTECH No: 91 017 012

REF. No.: 461 315 9002
000 430 2706

PORT:

NOTES:



REPAIR KIT FOR FOOT BRAKE VALVE

JOHNTECH No: 91 018 01

REF. No.: 461 319 0072
1518800

PORT:

NOTES:



REPAIR KIT FOR FOOT BRAKE VALVE

JOHNTECH No: 91 097 01

REF. No.: 461 307 0022
000 586 8643

PORT:

NOTES:



REPAIR KIT FOR PROTECTION VALVE

JOHNTECH No: 91 023 012

REF. No.: 934 901 0052
003 586 0943

PORT:

NOTES:

AIR BRAKE SYSTEM

QUALITÄT GERMANY



REPAIR KIT FOR AIR DRYER

JOHNTECH No: 91 001 022

REF. No.: 932 400 0002

PORT:

NOTES:



REPAIR KIT FOR RELAY VALVE

JOHNTECH No: 91 031 01

REF. No.: 973 001 0002
000 586 5742

PORT:

NOTES:



REPAIR KIT FOR RELAY VALVE

JOHNTECH No: 91 037 01

REF. No.: 971 002 0042

PORT:

NOTES:



REPAIR KIT FOR RELAY VALVE

JOHNTECH No: 91 039 01

REF. No.: 971 002 0032

PORT:

NOTES:



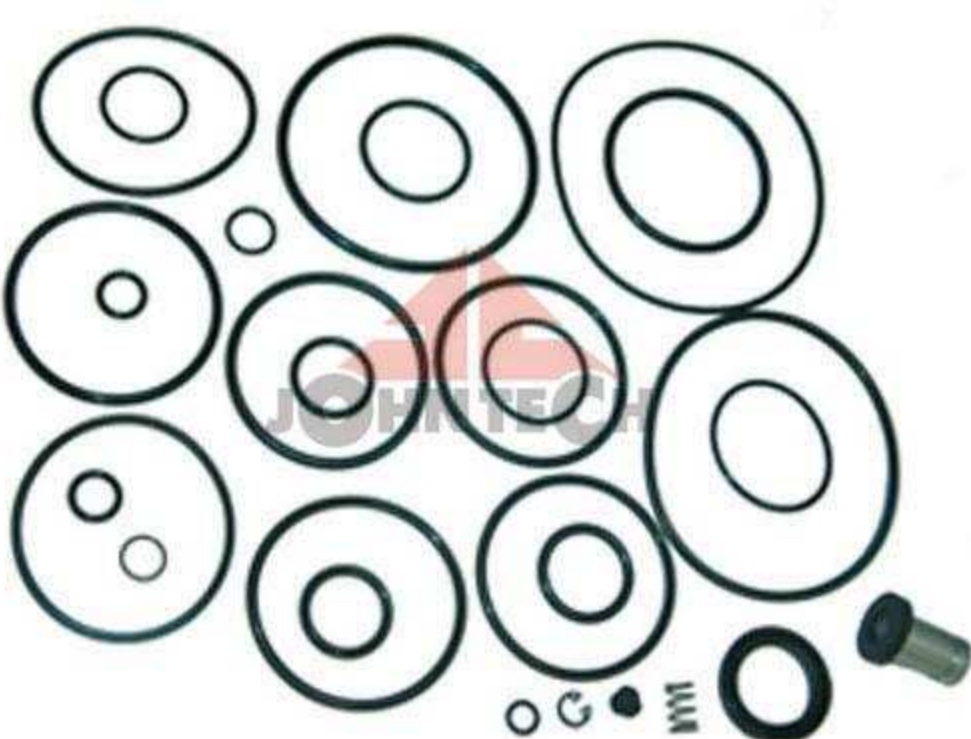
REPAIR KIT FOR CONTROL VALVE

JOHNTECH No: 91 041 01

REF. No.: 973 002 0052
002 586 9543

PORT:

NOTES:



REPAIR KIT FOR CONTROL VALVE

JOHNTECH No: 91 042 01

REF. No.: 973 009 0012
82 52301 6018

PORT:

NOTES:

AIR BRAKE SYSTEM

QUALITÄT GERMANY



REPAIR KIT FOR CONTROL VALVE

JOHNTECH No: 91 043 01

REF. No.: 973 009 0002
000 430 3706

PORT:

NOTES:



REPAIR KIT FOR RELAY VALVE

JOHNTECH No: 91 080 01

REF. No.: 475 711 0002
000 430 3660

PORT:

NOTES:



REPAIR KIT FOR RELAY VALVE

JOHNTECH No: 91 019 022

REF. No.: 475 712 0002
50 2117 0231

PORT:

NOTES:



REPAIR KIT FOR BRAKE VALVE

JOHNTECH No: 91 047 01

REF. No.: 961 723 0012
81 52315 6143

PORT:

NOTES:



REPAIR KIT FOR BRAKE VALVE

JOHNTECH No: 91 068 01

REF. No.: 961 701 0002
000 586 8043

PORT:

NOTES:



BRAKE CHAMBER

JOHNTECH No: 91 012 01

REF. No.: 91 012 01

PORT: THREAD : M 16 X 1.5
BOLT THREAD : M 16 X 1.5

NOTES: TYPE : 20

PUSH ROD LENGTH : 40 MM

AIR BRAKE SYSTEM

QUALITÄT GERMANY



BRAKE CHAMBER

JOHNTECH No: 91 012 00

REF. No.: 423 105 1300

PORT: THREAD: M 16 X 1.5
BOLT THREAD : M 16 X 1.5

NOTES: TYPE : 20
PUSH ROD LENGTH: 270MM



BRAKE CHAMBER

JOHNTECH No: 91 013 00

REF. No.: 423 106 1160

PORT: THREAD : M 22 X 1.5
BOLT THREAD : M 16 X 1.5

NOTES: TYPE : 24
PUSH ROD LENGTH: 270MM



BRAKE CHAMBER

JOHNTECH No: 91 032 13

REF. No.: 91 032 13

PORT: THREAD : 2 X M 16 X 1.5
BOLT THREAD : M 16 X 1.5

NOTES: TYPE : 24
PUSH ROD LENGTH: 15MM



BRAKE CHAMBER

JOHNTECH No: 91 014 00

REF. No.: 423 070 0500

PORT: THREAD : 2 X 3/8 NPT
BOLT THREAD : M 16 X 1.5

NOTES: TYPE : 30
PUSH ROD LENGTH: 270 MM



BRAKE CHAMBER

JOHNTECH No: 91 015 00

REF. No.: 423 080 0990

PORT: THREAD : 2 X M 22 X 1.5
BOLT THREAD : M 16 X 1.5

NOTES: TYPE : 36
PUSH ROD LENGTH: 184MM



BRAKE CHAMBER

JOHNTECH No: 91 012 02

REF. No.: 91 012 02

PORT: THREAD : M 16 X 1.5
MOUNTING THREAD : M 12

NOTES: PUSH ROD LENGTH: 84MM

AIR BRAKE SYSTEM

QUALITÄT GERMANY



SPRING BRAKE CHAMBER

JOHNTECH No: 91 010 00

REF. No.: 91 010 00

PORT: THREAD : 2 X 3/8 NPT
BOLT THREAD : M 16 X 1.5

NOTES: TYPE : 24/24
PUSH ROD LENGTH: 270MM



SPRING BRAKE CHAMBER

JOHNTECH No: 91 007 02

REF. No.: 91 007 02

PORT: THREAD : 3/8 NPT
BOLT THREAD : M 16 X 1.5

NOTES: TYPE : 24/30
PUSH ROD LENGTH: 270MM



SPRING BRAKE CHAMBER

JOHNTECH No: 91 007 01

REF. No.: 925 322 0660

PORT: PORT THREAD : 2 X 3/8 NPT
BOLT THREAD : M 16 X 1.5

NOTES: TYPE : 30/30
PUSH ROD LENGTH: 270MM



SPRING BRAKE CHAMBER

JOHNTECH No: 91 005 00

REF. No.: 925 324 1010
008 420 8518

PORT: PORT THREAD : M 16 X 1.5
BOLT THREAD : M 16 X 1.5

NOTES: TYPE : 16/24
PUSH ROD LENGTH: 270MM



BRAKE CHAMBER

JOHNTECH No: 91 006 00

REF. No.: 925 321 3000

PORT: THREAD : M 16 X 1.5
BOLT THREAD : M 16 X 1.5

NOTES: TYPE : 24/24
PUSH ROD LENGTH: 270MM



SPRING BRAKE CHAMBER

JOHNTECH No: 91 007 00

REF. No.: 925 322 0150

PORT: THREAD : M 16 X 1.5
BOLT THREAD : M 16 X 1.5

NOTES: TYPE : 24/30
PUSH ROD LENGTH: 270MM



AIR BRAKE SYSTEM

QUALITÄT GERMANY



BRAKE CHAMBER

JOHNTECH No: 91 008 00

REF. No.: 925 432 1080

PORT: THREAD : M 16 X 1.5
BOLT THRED : M 16 X 1.5

NOTES: TYPE : 30/30
PUSH ROD LENGTH: 270MM



SPRING BRAKE CHAMBER

JOHNTECH No: 91 009 00

REF. No.: 925 432 0080

PORT: THREAD : M 16 X 1.5
BOLT THREAD : M 16 X 1.5

NOTES: TYPE : 30/30
PUSH ROD LENGTH: 270MM



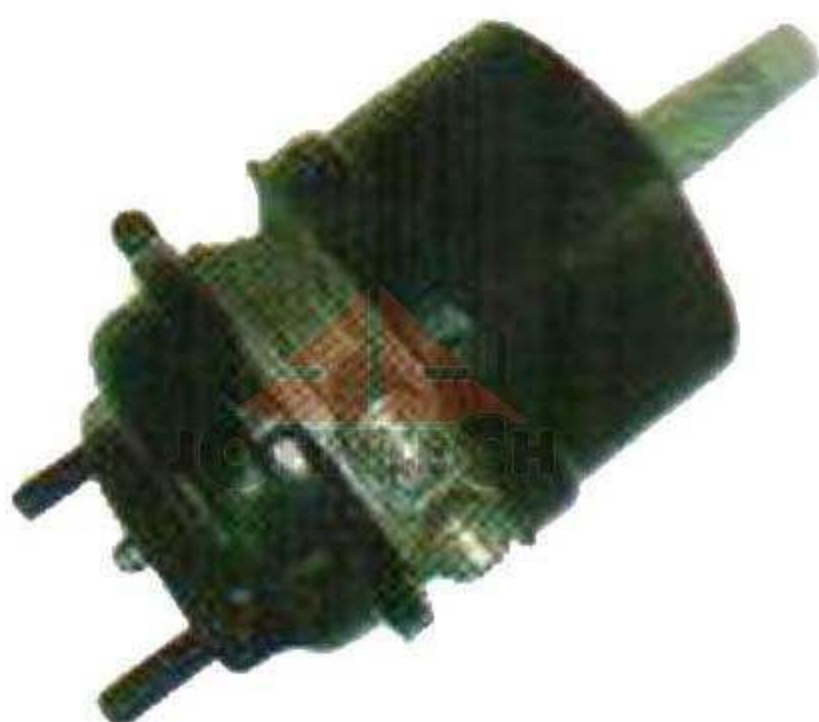
SPRING BRAKE CHAMBER

JOHNTECH No: 92 017 00

REF. No.: 925 484 0210

PORT: THREAD: 2 X M 22 X 1.5
BOLT THREAD : M 16 X 1.5

NOTES: TYPE : 16/24



SPRING BRAKE CHAMBER

JOHNTECH No: 92 016 00

REF. No.: 924 461 0000

PORT: THREAD : 2 X M 22 X 1.5
BOLT THREAD : M 16 X 1.5

NOTES: TYPE : 24/24



COUPLING NORMAL

JOHNTECH No: 92 006 00

REF. No.: 452 200 0110
000 429 3430

PORT: M 22 X 1.5

NOTES: RED



COUPLING NORMAL

JOHNTECH No: 92 007 00

REF. No.: 452 200 0120
000 429 3330

PORT: M 22 X 1.5

NOTES: YELLOW

AIR BRAKE SYSTEM

QUALITÄT GERMANY



COUPLING AUTOMATIC

JOHNTECH No: 92 008 00

REF. No.: 452 200 2110
000 429 8630

PORT: M 22 X 1.5

NOTES: RED



COUPLING AUTOMATIC

JOHNTECH No: 92 009 00

REF. No.: 452 200 2120
000 429 8730

PORT: M 22 X 1.5

NOTES: YELLOW



COUPLING NORMAL

JOHNTECH No: 92 010 00

REF. No.: 952 200 0210
000 429 7630

PORT: M 16 X 1.5

NOTES: RED



COUPLING NORMAL

JOHNTECH No: 92 011 00

REF. No.: 952 200 0220
000 429 3830

PORT: M 16 X 1.5

NOTES: YELLOW



COUPLING AUTOMATIC

JOHNTECH No: 92 012 00

REF. No.: 952 200 2210

PORT: M 16 X 1.5

NOTES: RED



COUPLING AUTOMATIC

JOHNTECH No: 92 013 00

REF. No.: 952 200 2220
000 429 8130

PORT: M 16 X 1.5

NOTES: YELLOW

AIR BRAKE SYSTEM

QUALITÄT GERMANY



AIR HOSE RED

JOHNTECH No: 92 014 00

REF. No.: 452 711 0040

PORT: M 22 X 1.5

NOTES: RED



AIR HOSE RED

JOHNTECH No: 92 015 02

REF. No.: 452 711 0110

PORT: M 16 X 1.5

NOTES: RED



AIR HOSE YELLOW

JOHNTECH No: 92 015 00

REF. No.: 452 711 0020

PORT: M 22 X 1.5

NOTES: YELLOW



AIR HOSE YELLOW

JOHNTECH No: 92 014 01

REF. No.: 452 711 0120

PORT: M 16 X 1.5

NOTES: YELLOW



ELECTRIC CABLE

JOHNTECH No: 000 247 00

REF. No.: 441 300 0030

PORT:

NOTES: CLOUR BLACK



ELECTRIC CABLE

JOHNTECH No: 000 251 00

REF. No.: 441 300 00 20

PORT:

NOTES:



AIR BRAKE SYSTEM

QUALITÄT GERMANY



SAFETY VALVE

JOHNTECH No: 91 062 00

REF. No.: KX 175/1

PORT: ¼ NPT

NOTES: 155 PSI 11.0 BAR



DRAIN VALVE

JOHNTECH No: 91 054 00

REF. No.: 934 300 0010
000 432 0607

PORT: M 22 X 1.5

NOTES:



CONTROL CYLINDER

JOHNTECH No: 91 089 00

REF. No.:

PORT: M 12 X 1.5 (6L)
ROD END 12 M

NOTES: DIA. 35 MM



CONTROL CYLINDER

JOHNTECH No: 91 086 00

REF. No.: 000 072 0112

PORT: M 12 X 1.5 (6L)

NOTES: DIA. 24 MM



CONTROL CYLINDER

JOHNTECH No: 91 087 00

REF. No.: 000 072 1512

PORT: M 12 X 1.5

NOTES:

AIR BRAKE SYSTEM

QUALITÄT GERMANY



RELAY VALVE

JOHNTECH No: 91 038 00

REF. No.: 971 002 5310

MERCEDES



BRAKE BOOSTER

JOHNTECH No: 91 007 04

MERCEDES



SPRING BRAKE CHAMBER

JOHNTECH No: 91 010 02

NOTES : 24/30

MERCEDES



SPRING BRAKE CHAMBER

JOHNTECH No: 91 032 16

NOTES : 30/30

MERCEDES



AIR TANK

JOHNTECH No: 91 093 02

NOTES : BIG

MERCEDES



AIR TANK

JOHNTECH No: 91 093 03

NOTES : SMALL

MERCEDES

AIR BRAKE SYSTEM

QUALITÄT GERMANY



AIR COMPRESSOR

JOHNTECH No: 91 097 04

REF NO: 1612335

KZ 433/1RM

NOTES: KNORR TYPE

VOLVO



AIR COMPRESSOR

JOHNTECH No: 102 004 46

REF NO: 1626060

911 505 1500

NOTES: WABCO TYPE

VOLVO



AIR COMPRESSOR

JOHNTECH No: 91 097 00

REF NO: 001 131 5501

411 034 5010

MERCEDES